

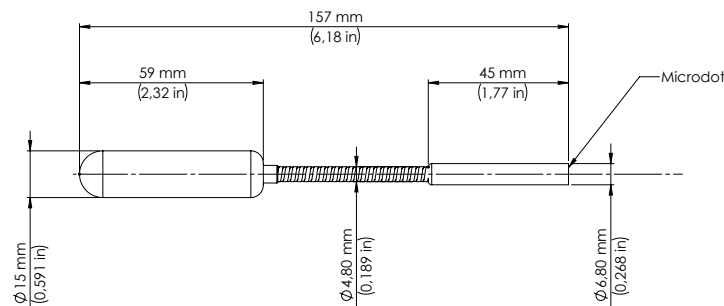


Type: 4098-DC-G-B00-015

ARCHITECT SPECIFICATIONS

The microphone shall be a pre-polarized condenser with a supercardioid polar pattern. The off-axis response at 30° and 60° shall have the same shape as the on-axis response. The microphone shall have a sensitivity of 16 mV/Pa (-36 dB re. 1 V/Pa) and an equivalent noise level of 23 dB(A) re. 20 µPa. The microphone shall not exceed 1% THD at 133 dB SPL peak. The diameter of the microphone shall be 15 mm (0.6 in) and the audio connector shall be a MicroDot. A comprehensive adapter program shall be available allowing for connections through wireless belt packs or wired XLR. The operating temperature shall range from -40°C to 45°C (-40°F to 113°F) and the microphone shall function in humidity levels up to 90%. The microphone shall be immune to radio frequency interference (RFI) from cell phones and other wireless equipment. The overall length shall be 16 cm (6 in) and the weight shall be 12 g (0.4 oz). The color shall be matte black.

The microphone shall be the DPA 4098 Supercardioid Microphone type 4098-DC-G-B00-015.



TECHNICAL SPECIFICATIONS

4098-DC-G-B00-015	
Directional pattern	Supercardioid
Principle of operation	Pressure gradient
Cartridge type	Pre-polarized condenser
Frequency response	20 Hz - 20 kHz
Effective frequency range ± 2 dB, at 20 cm (7.9 in)	80 Hz - 15 kHz with 3 dB soft boost at 8-15 kHz
Sensitivity, nominal, ± 3 dB at 1 kHz	16 mV/Pa; -36 dB re. 1 V/Pa
Equivalent noise level, A-weighted	Typ. 23 dB(A) re. 20 μ Pa (max. 26 dB(A))
Equivalent noise level, ITU-R BS.468-4	Typ. 35 dB (max. 38 dB)
Distortion, THD < 1%	130 dB SPL RMS, 133 dB SPL peak
Dynamic range	Typ. 110 dB
Max. SPL, THD 10%	135 dB SPL peak
Rated output impedance	From MicroDot: 30 - 40 Ω . From DAD6001-BC XLR Adapter: 100 Ω
Minimum load impedance	2 k Ω
Cable drive capability	Up to 300 m (984 ft) with DAD6001-BC XLR Adapter
Power supply (for full performance)	MicroDot: Min. 5 V to max. 10 V through DPA adapter for wireless systems or P48 (Phantom Power) with DAD6001-BC XLR adapter
Current consumption	Typ. 1.5 mA (microphone). 3.5 mA with DAD6001-BC XLR Adapter
Connector	MicroDot
Color	Black
Microphone length	16 cm (6 in)
Weight	12 g (0.4 oz)
Microphone diameter	5.7 mm (0.22 in)
Polarity	+V at MicroDot pin for positive sound pressure (and pin 2 on DAD6001-BC XLR adapter)
Temperature range	-40°C to 45°C (-40°F to 113°F)
Relative humidity (RH)	Up to 90%