

# **SHURE**<sup>®</sup>

LEGENDARY  
PERFORMANCE™

**Le Guide de l'Utilisateur**

**Bedienungsanleitung**

**Guia del Usuario**

**Guida dell'Utente**

**Manual do Usuário**

**Руководство пользователя**

**日本語**

**사용자 가이드**

**繁體中文**



**用戶指南**

**Panduan Pengguna**

**Gebruikershandleiding**



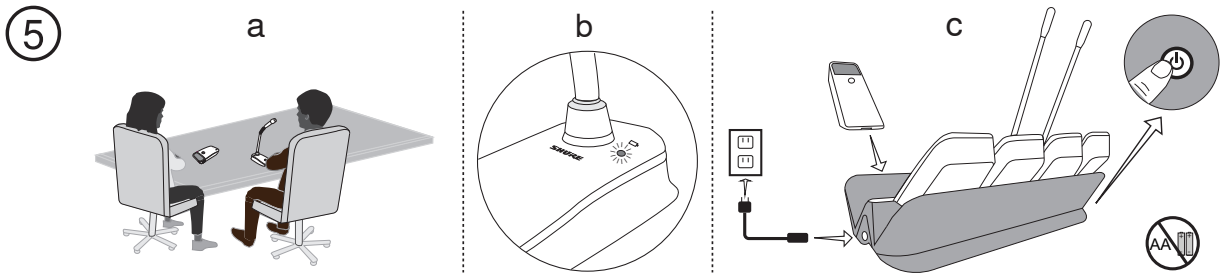
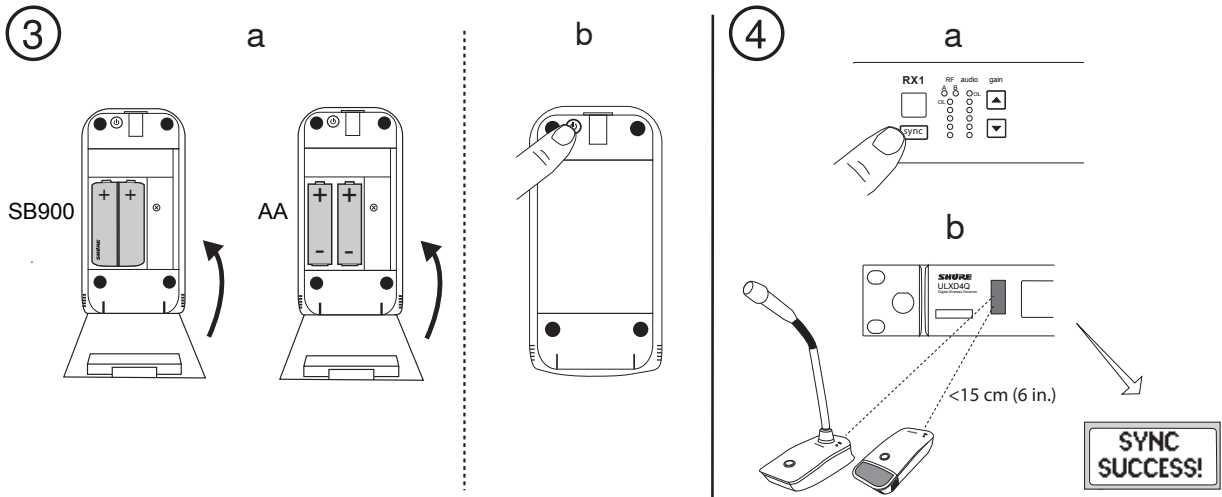
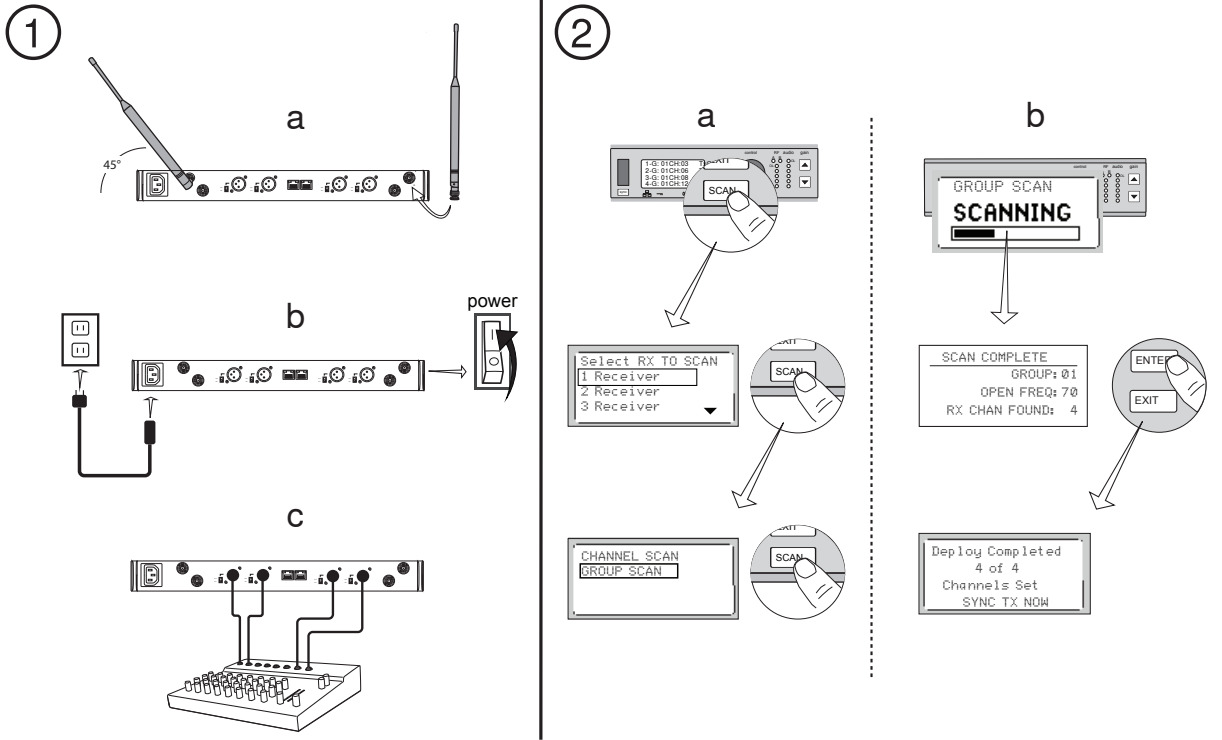
**WARNING:** Voltages in this equipment are hazardous to life. No user-serviceable parts inside. Refer all servicing to qualified service personnel. The safety certifications do not apply when the operating voltage is changed from the factory setting.

	<p>This symbol indicates that dangerous voltage constituting a risk of electric shock is present within this unit.</p>
	<p>This symbol indicates that there are important operating and maintenance instructions in the literature accompanying this unit.</p>

## IMPORTANT SAFETY INSTRUCTIONS

1. READ these instructions.
2. KEEP these instructions.
3. HEED all warnings.
4. FOLLOW all instructions.
5. DO NOT use this apparatus near water.
6. CLEAN ONLY with dry cloth.
7. DO NOT block any ventilation openings. Allow sufficient distances for adequate ventilation and install in accordance with the manufacturer's instructions.
8. DO NOT install near any heat sources such as open flames, radiators, heat registers, stoves, or other apparatus (including amplifiers) that produce heat. Do not place any open flame sources on the product.
9. DO NOT defeat the safety purpose of the polarized or grounding type plug. A polarized plug has two blades with one wider than the other. A grounding type plug has two blades and a third grounding prong. The wider blade or the third prong are provided for your safety. If the provided plug does not fit into your outlet, consult an electrician for replacement of the obsolete outlet.
10. PROTECT the power cord from being walked on or pinched, particularly at plugs, convenience receptacles, and the point where they exit from the apparatus.
11. ONLY USE attachments/accessories specified by the manufacturer.
12. USE only with a cart, stand, tripod, bracket, or table specified by the manufacturer, or sold with the apparatus. When a cart is used, use caution when moving the cart/apparatus combination to avoid injury from tip-over.
13. UNPLUG this apparatus during lightning storms or when unused for long periods of time.
14. REFER all servicing to qualified service personnel. Servicing is required when the apparatus has been damaged in any way, such as power supply cord or plug is damaged, liquid has been spilled or objects have fallen into the apparatus, the apparatus has been exposed to rain or moisture, does not operate normally, or has been dropped.
15. DO NOT expose the apparatus to dripping and splashing. DO NOT put objects filled with liquids, such as vases, on the apparatus.
16. The MAINS plug or an appliance coupler shall remain readily operable.
17. The airborne noise of the Apparatus does not exceed 70dB (A).
18. Apparatus with CLASS I construction shall be connected to a MAINS socket outlet with a protective earthing connection.
19. To reduce the risk of fire or electric shock, do not expose this apparatus to rain or moisture.
20. Do not attempt to modify this product. Doing so could result in personal injury and/or product failure.
21. Operate this product within its specified operating temperature range.

# Quick Start Instructions



ULXD series boundary and gooseneck microphones and networked charging stations add new designs to Shure's breakthrough ULX-D wireless line. Boundary and gooseneck transmitters offer cable-free flexibility for corporate conference rooms, government facilities, and educational institutions. Use Shure Wireless Workbench® and networked charging stations to simplify transmitter configuration and monitor charging status. Simply change settings in Wireless Workbench for all transmitters docked on a charger, instead of syncing each transmitter individually.

Both microphones run on rechargeable or AA batteries and can be controlled through external control systems, such as AMX or Crestron. As part of Shure's groundbreaking ULXD line, both gooseneck and boundary microphones include audio signal encryption, high-density mode, and the reliability of ULX-D systems. Boundary microphones offer cardioid and omnidirectional cartridges, and the gooseneck base fits Microflex series gooseneck microphones.

## Included Components

- AA Batteries

## Accessories

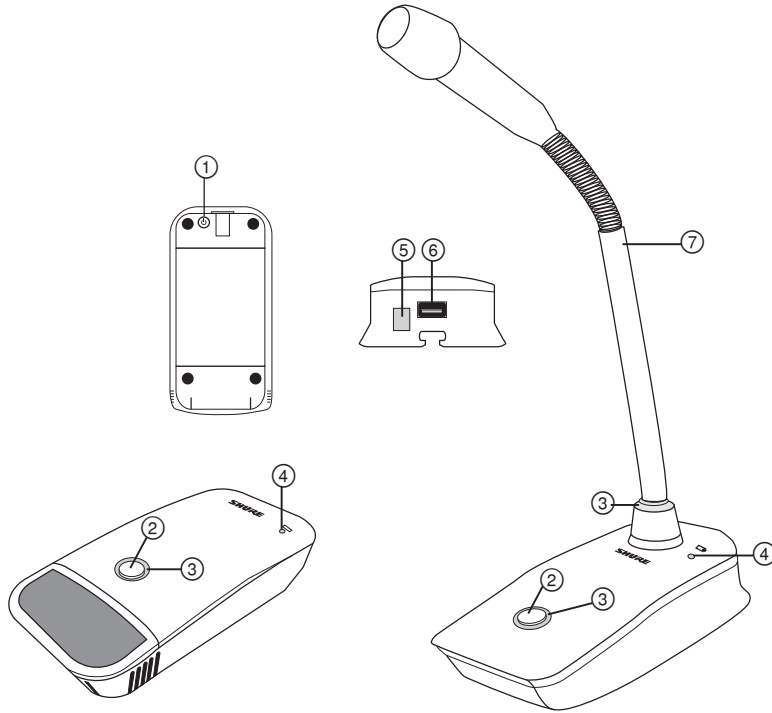
2-bay networked charger for gooseneck and boundary microphones	SBC250
4-bay networked charger for gooseneck and boundary microphones	SBC450
8-bay networked charger for gooseneck and boundary microphones	SBC850
8-Bay Shure Battery Charger	SBC800
6' USB-A cable with wall plug for charging Wireless Transmitters	SBC-USB-A

## Model Variations

ULXD Cardioid Boundary Microphone	ULXD6/C
ULXD Omnidirectional Boundary Microphone	ULXD6/O
ULXD Gooseneck Base	ULXD8
5" Cardioid Gooseneck Microphone	MX405LP/C
5" Supercardioid Gooseneck Microphone	MX405LP/S

15" Supercardioid Gooseneck Microphone	MX415LP/S
5" Gooseneck with Red Top LED (no cartridge)	MX405RLP/N
10" Gooseneck with Red Top LED (no cartridge)	MX410RLP/N
15" Gooseneck with Red Top LED (no cartridge)	MX415RLP/N
10" Cardioid Dualflex Gooseneck Microphone	MX410LPDF/C
10" Supercardioid Dualflex Gooseneck Microphone	MX410LPDF/S
10" Dualflex Gooseneck with Red Top LED (no cartridge)	MX410RLPDF/N
10" Cardioid Dualflex Gooseneck Microphone with Red Top LED	MX410RLPDF/C
10" Supercardioid Dualflex Gooseneck Microphone with Red Top LED	MX410RLPDF/S
15" Cardioid Dualflex Gooseneck Microphone	MX415LPDF/C
15" Supercardioid Dualflex Gooseneck Microphone	MX415LPDF/S
15" Dualflex	

# Transmitter Controls and Connectors



## ① Power Button

Press and hold for two seconds to turn microphone on or off.

## ② Mute/Active Button

Four settings are available for the mute/active button:

- Toggle: Press to switch between active and mute states
- Push-to-Mute: Hold button to mute microphone
- Push-to-Talk: Hold button to activate microphone when speaking
- Disabled: Button functionality off

## ③ Status LED

Indicates microphone's audio status.

## ④ Low-Battery LED

- Off = More than 30 minutes of battery life remain
- On = Less than 30 minutes of battery life remain

## ⑤ Infrared (IR) Port

Align with receiver IR port to send settings to transmitter.

## ⑥ Charge Connector

Connects to networked chargers.

## ⑦ Gooseneck Microphone

ULXD8 base fits 5", 10", and 15" Microflex series microphones.

## Status LED

To change status LED behavior, use Wireless Workbench or ULXD receiver front panel.

### ULXD6 and ULXD8 (with MX400 series gooseneck)

Active	Muted
Green (factory setting)	Red (factory setting)
Red	Off
Red	Flashing red

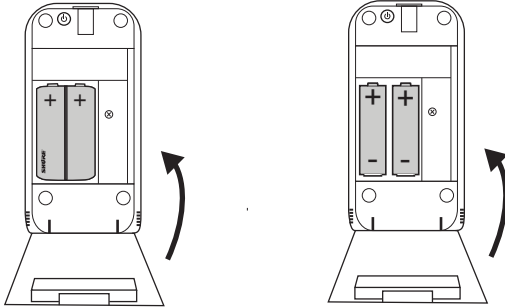
### ULXD8 (with MX400R series gooseneck)

Active	Muted
Red (factory setting)	Off (factory setting)
Red	Flashing

# Battery and Charging

## Installation

1. Open the battery compartment.
2. Insert one SB900 battery or two AA batteries. Align +/- terminals on batteries as shown.
3. Close battery door until it latches.

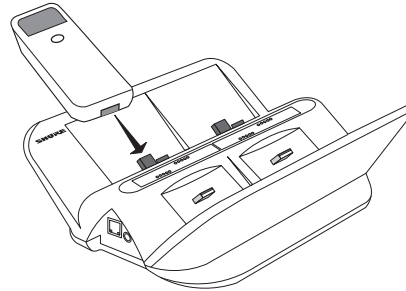


## Battery Information

See the receiver front panel or the microphone properties on Wireless Workbench for detailed battery information.

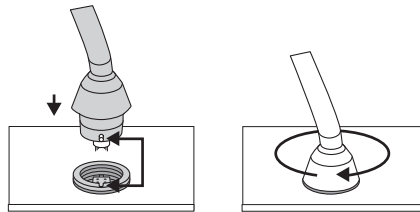
## Charging

Charge transmitters with Shure rechargeable batteries in networked charging station.



# Connecting Gooseneck Microphone to ULXD8 Base

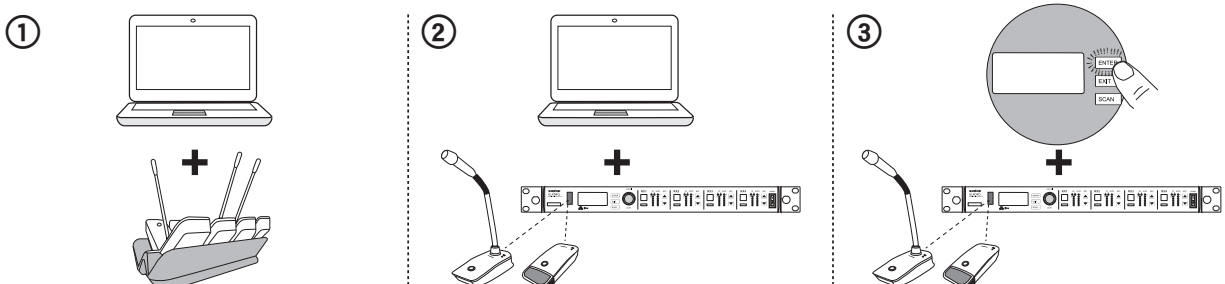
ULXD8 bases fit 5", 10", and 15" Microflex series gooseneck microphones. Connect microphone to base as shown.



# Changing Transmitter Settings

Modify the transmitter's mute/active button behavior, status LED behavior, high-pass filter, and encryption settings to fit your setup. There are three different ways to change transmitter settings:

1. Change settings in Wireless Workbench and send to all transmitters on a networked charger
2. Change settings in Wireless Workbench, send settings to each receiver, and perform an IR sync between each receiver and transmitter pair
3. Change settings for each transmitter from ULXD receiver front panel and perform an IR sync



For configuration details, see the full manual available at [www.shure.com](http://www.shure.com).

## Global Frequency Range

Band	Frequency Range (MHz)
G50	470 to 534
G51	470 to 534
G52	479 to 534
H50	534 to 598
H51	534 to 598
H52	534 to 565
H53	534 to 598
J50	572 to 636
J51	572 to 636
K51	606 to 670
K52	606 to 670
L51	632 to 696
L52	632 to 694
L53	632 to 714
P51	710 to 782
P52	710 to 782
JB (Tx only)	806 to 810
Q51	794 to 806
S50	823 to 865
X51	925 to 937.5
X52	902 to 928
X53	902 to 907.500, 915 to 928
X54	915 to 928
Z16	1240 to 1260

## Certifications

This device complies with part 15 of the FCC Rules. Operation is subject to the following two conditions: (1) This device may not cause harmful interference, and (2) this device must accept any interference received, including interference that may cause undesired operation.

Certified under FCC Part 74, FCC Part 15.

Certified by IC in Canada under RSS-247 and RSS-210, RSS-GEN.

**IC:** 616A-ULXD6G50, 616A-ULXD6H50, 616A-ULXD6J50, 616A-ULXD6X52, 616A-ULXD8G50, 616A-ULXD8H50, 616A-ULXD8J50, 616A-ULXD8X52.

**FCC:** DD4ULXD6G50, DD4ULXD6H50, DD4ULXD6J50, DD4ULXD6X52, DD4ULXD8G50, DD4ULXD8H50, DD4ULXD8J50, DD4ULXD8X52.

This product meets the Essential Requirements of all relevant European directives and is eligible for CE marking.

**Note:** For transmitters operating in the V50 and V51 bands: nominal free space antenna gain at middle of the band is typically -6 dBi, and rolls off at the band edges an additional -4 dB.

This device complies with Industry Canada licence-exempt RSS standard(s). Operation of this device is subject to the following two conditions: (1) this device may not cause interference, and (2) this device must accept any interference, including interference that may cause undesired operation of the device.

Le présent appareil est conforme aux CNR d'Industrie Canada applicables aux appareils radio exempts de licence. L'exploitation est autorisée aux deux conditions suivantes : (1) l'appareil ne doit pas produire de brouillage, et (2) l'utilisateur de l'appareil doit accepter tout brouillage radioélectrique subi, même si le brouillage est susceptible d'en compromettre le fonctionnement.

**Note:** EMC conformance testing is based on the use of supplied and recommended cable types. The use of other cable types may degrade EMC performance.

The CE Declaration of Conformity can be obtained from: [www.shure.com/europe/](http://www.shure.com/europe/)

compliance

Authorized European representative:  
Shure Europe GmbH  
Headquarters Europe, Middle East  
& Africa  
Department: EMEA Approval  
Jakob-Dieffenbacher-Str. 12  
75031 Eppingen, Germany  
Phone: 49-7262-92 49 0  
Fax: 49-7262-92 49 11 4  
Email: info@shure.de

## Information to the user

This equipment has been tested and found to comply with the limits for a Class B digital device, pursuant to Part 15 of the FCC Rules. These limits are designed to provide reasonable protection against harmful interference in a residential installation. This equipment generates uses and can radiate radio frequency energy and, if not installed and used in accordance with the instructions, may cause harmful interference to radio communications. However, there is no guarantee that interference will not occur in a particular installation. If this equipment does cause harmful interference to radio or television reception, which can be determined by turning the equipment off and on, the user is encouraged to try to correct the interference by one or more of the following measures:

- Reorient or relocate the receiving antenna.
- Increase the separation between the equipment and the receiver.
- Connect the equipment to an outlet on a circuit different from that to which the receiver is connected.
- Consult the dealer or an experienced radio/TV technician for help.

## LICENSING INFORMATION

Licensing: A ministerial license to operate this equipment may be required in certain areas. Consult your national authority for possible requirements. Changes or modifications not expressly approved by Shure Incorporated could void your authority to operate the equipment. Licensing of Shure wireless microphone equipment is the user's responsibility, and licensability depends on

the user's classification and application, and on the selected frequency. Shure strongly urges the user to contact the appropriate telecommunications authority concerning proper licensing, and before choosing and ordering frequencies.

For the band Z17 (1492-1525 MHz), it must be used indoors only.

For the band Z19 (1785-1800 MHz), if the transmitter operates on a frequency below 1790 MHz, it must be used indoors only.

**WARNING:** Danger of explosion if battery incorrectly replaced. Operate only with Shure compatible batteries.

## WARNING

- Battery packs may explode or release toxic materials. Risk of fire or burns. Do not open, crush, modify, disassemble, heat above 140°F (60°C), or incinerate.
- Follow instructions from manufacturer
- Only use Shure charger to recharge Shure rechargeable batteries
- **WARNING:** Danger of explosion if battery incorrectly replaced. Replace only with same or equivalent type.
- Never put batteries in mouth. If swallowed, contact your physician or local poison control center
- Do not short circuit; may cause burns or catch fire
- Do not charge or use battery packs other than Shure rechargeable batteries
- Dispose of battery packs properly. Check with local vendor for proper disposal of used battery packs.
- Batteries (battery pack or batteries installed) shall not be exposed to excessive heat such as sunshine, fire or the like

**WARNING:** This product contains a chemical known to the State of California to cause cancer and birth defects or other reproductive harm.

Please follow your regional recycling scheme for batteries, packaging, and electronic waste.